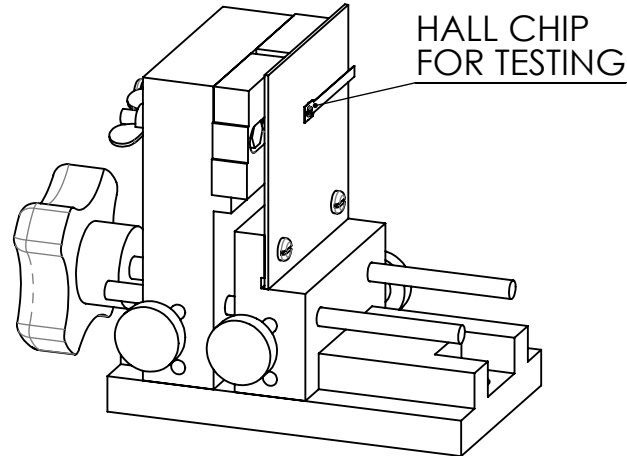
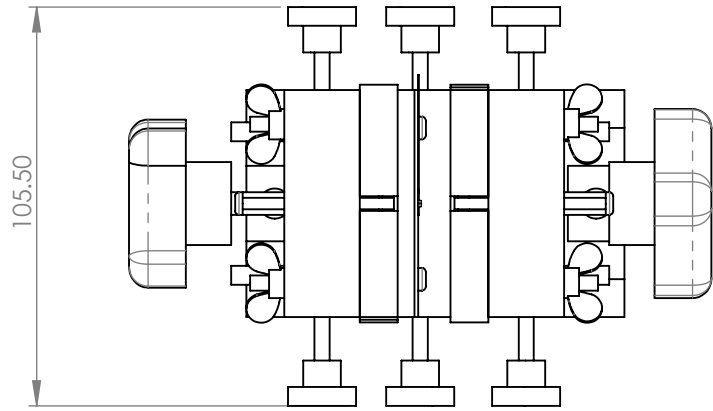
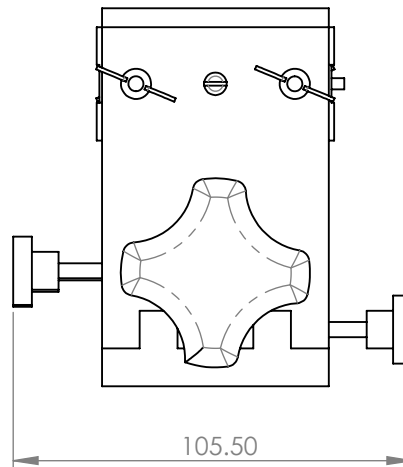
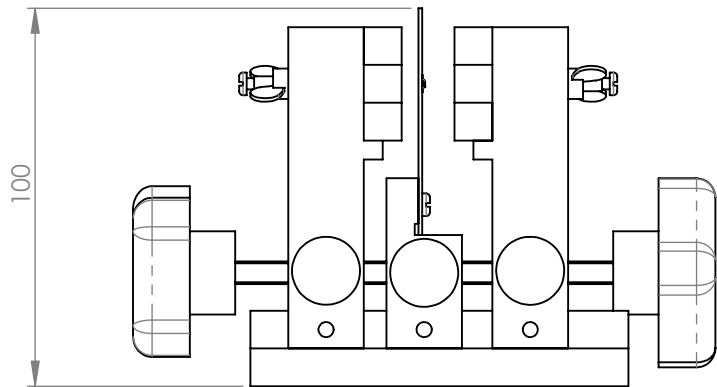
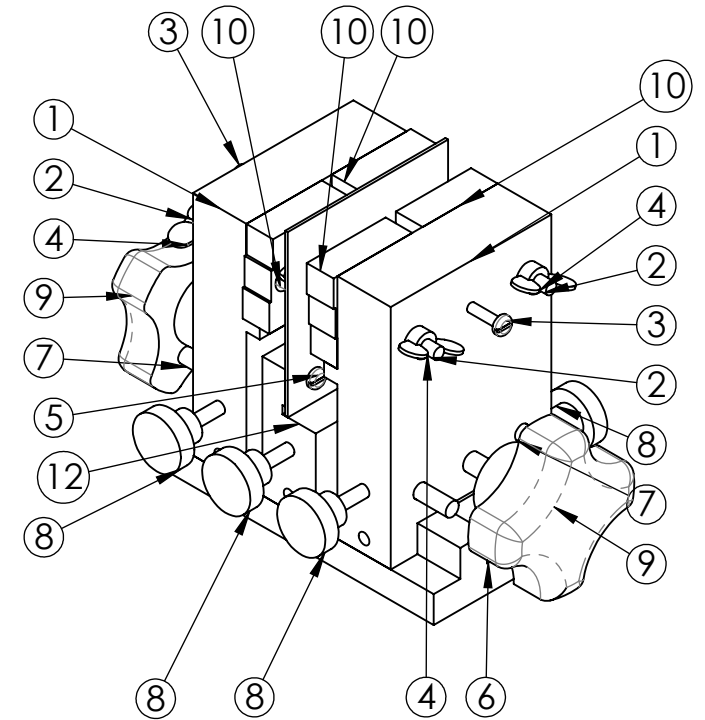


Modifications:



DETAIL WITH MAGNET BLOCK REMOVED



ITEM NO.	PART NUMBER	QTY.
1	MAGNET BLOCK	2
2	M4x35 BOLT	4
3	M3x40 SCREW	2
4	M4 WINGNUT	4
5	M4x8 SCREW	2
6	BASE	1
7	M5 ROD	2
8	THUMBWHEEL RS 702-7526	6
9	KNOB M6 RS 702-7526	2
10	MAGNET VICE	4
11	5X1	2
12	SENSOR BLOCK	1
13	SENSOR MOUNTING PLATE	1
14	10003 SENSOR PCB SA STANDARD FLATTENED	1
15	90002 HALL SENSOR	1

The Big Consultant - "The little company with the big ideas!"

COJAC - MAGNETIC TEST JIG

Drawing Issue: A

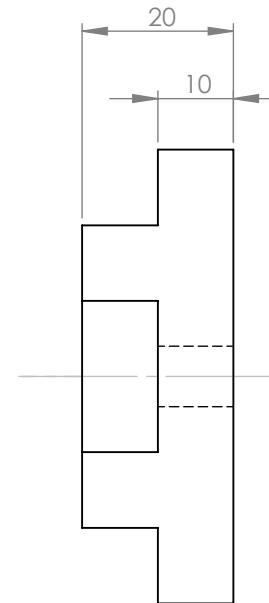
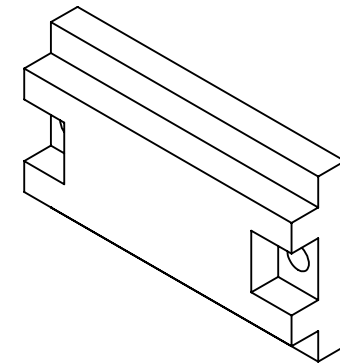
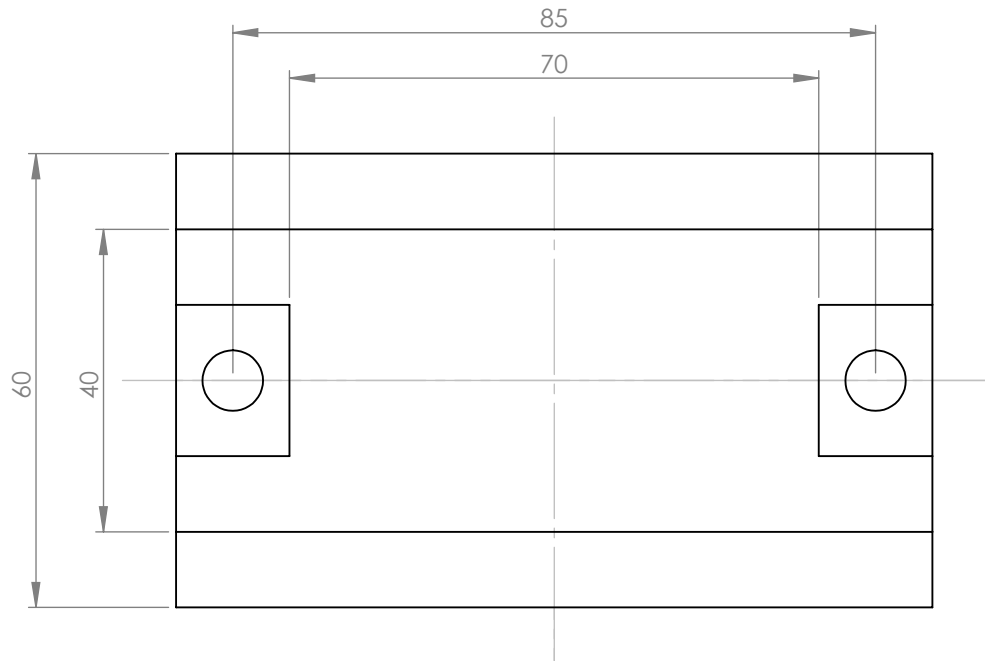
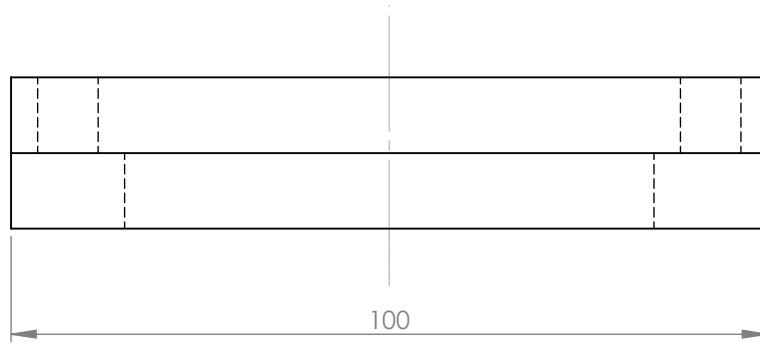
Scale: 1:2

Drawn: JB

Date: 05/13/12

Note: All dimensions are in mm

Modifications:



Note: All dimensions are in mm

The Big Consultant - *"The little company with the big ideas!"*

COJAC - MAGNETIC TEST JIG - BASE

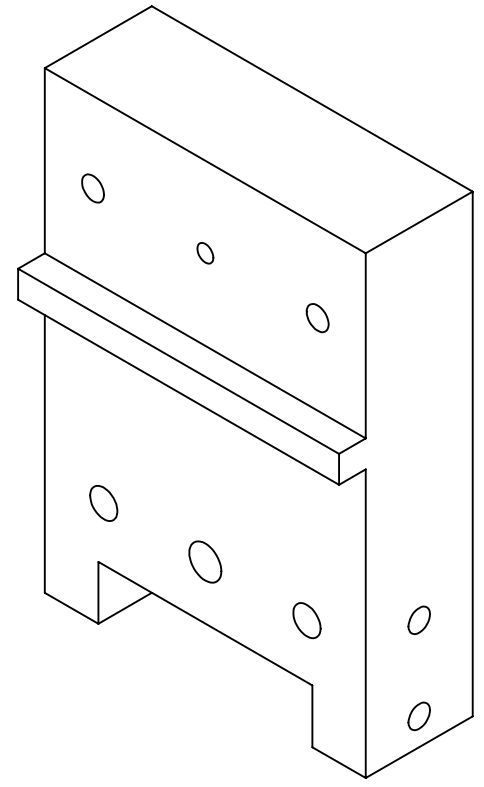
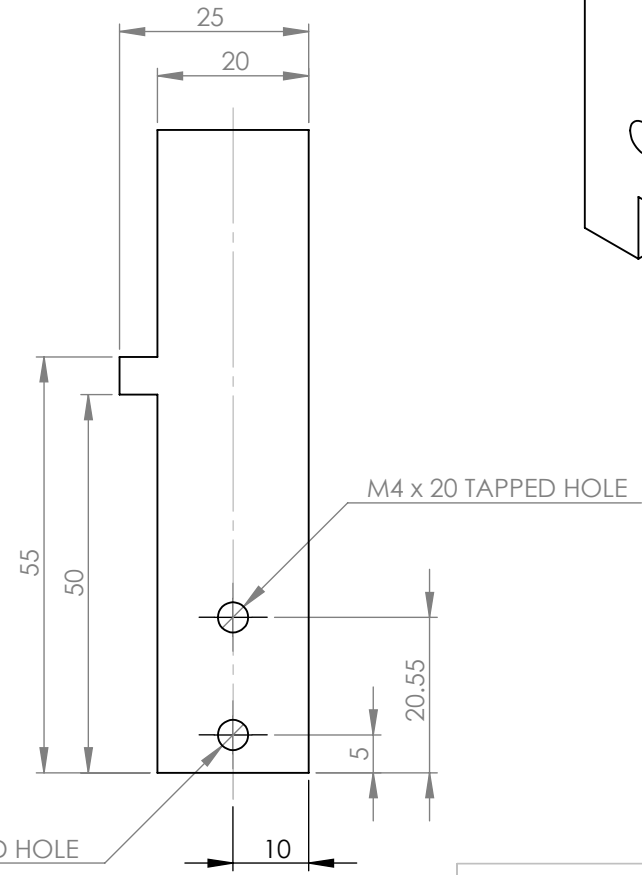
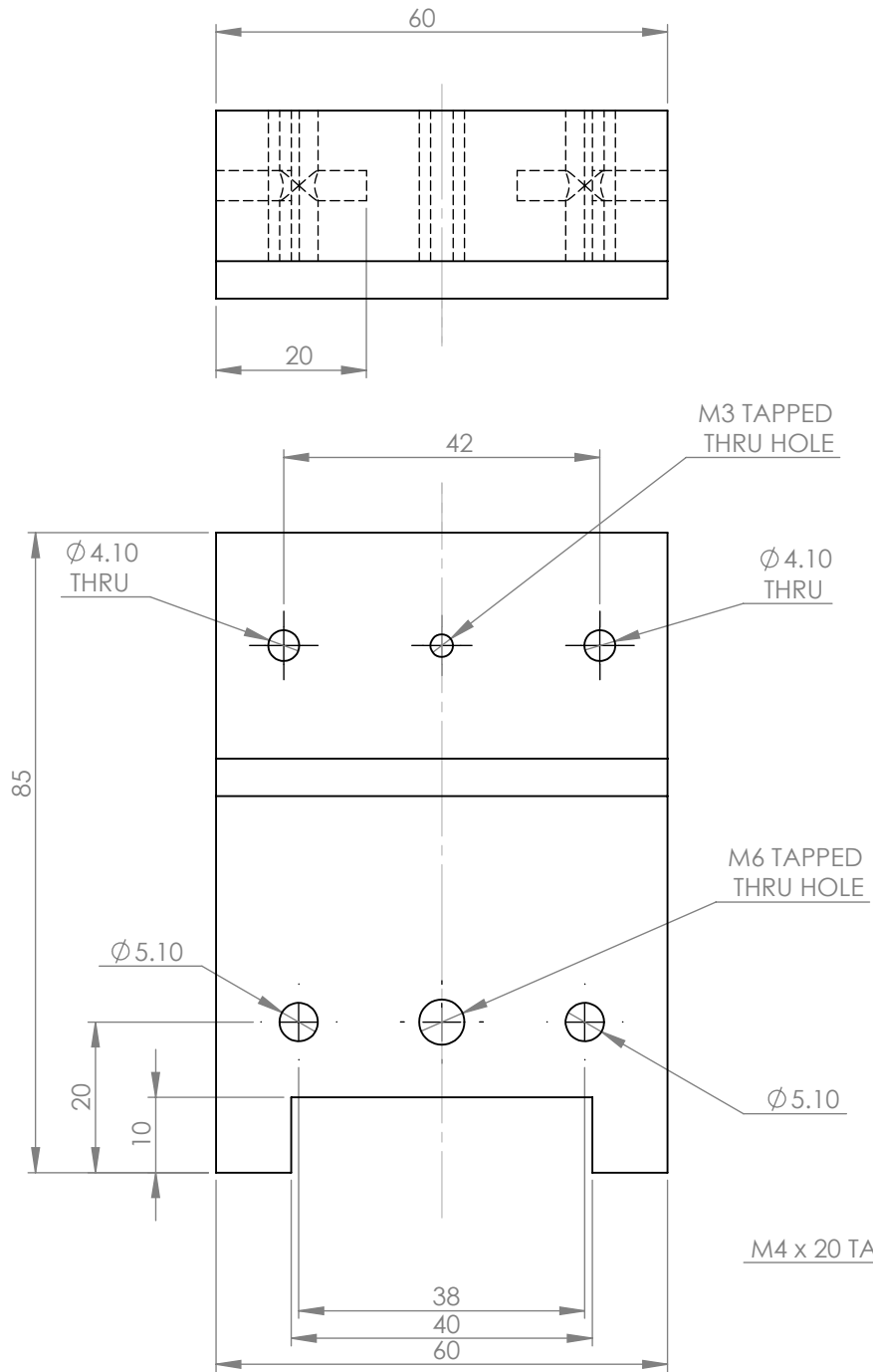
Drawing Issue: A

Scale: 1:1

Drawn: JB

Date: 05/13/12

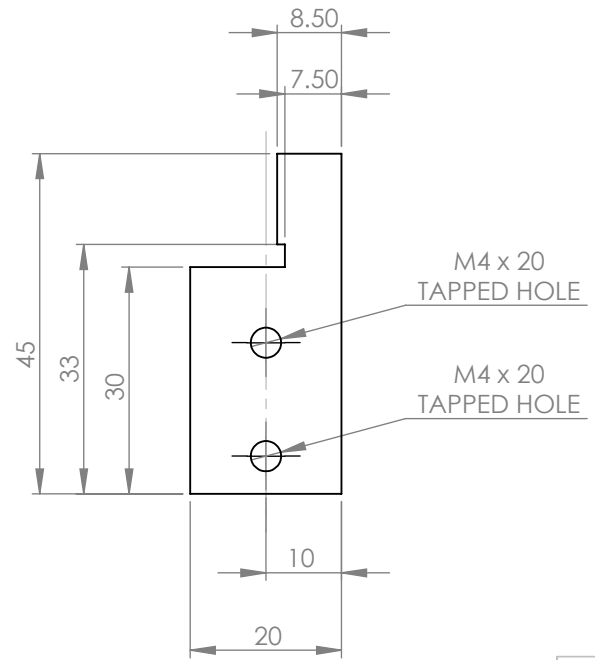
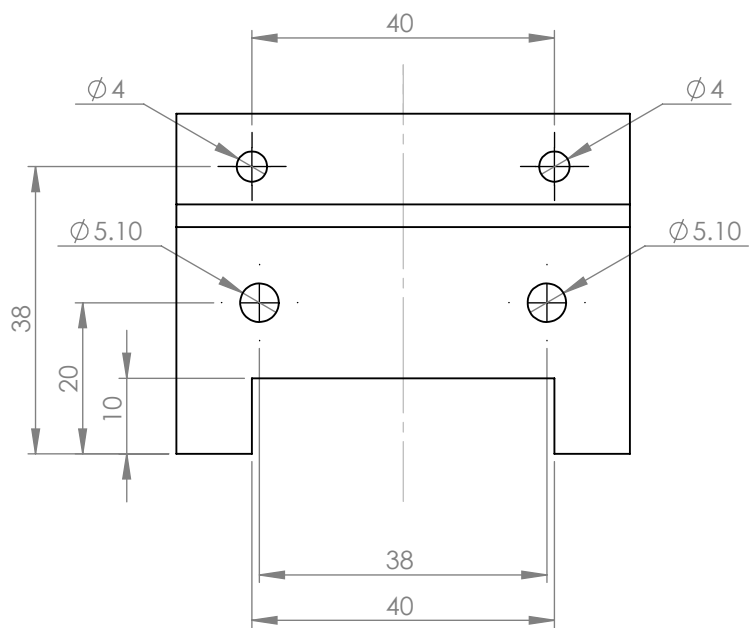
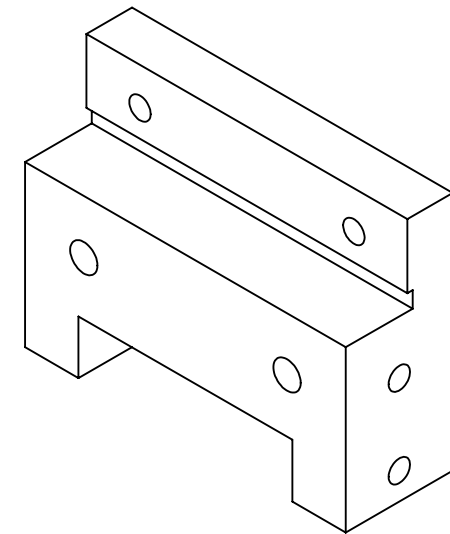
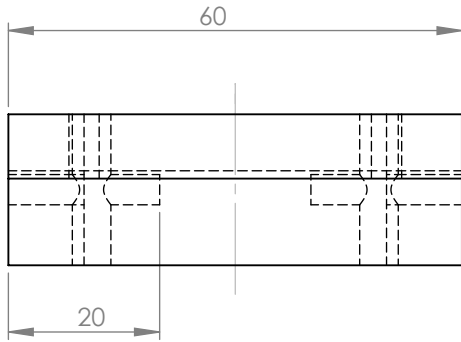
Modifications:



Note: All dimensions are in mm

The Big Consultant - "The little company with the big ideas!"	
COJAC - MAGNETIC TEST JIG - MAGNET BLOCK	
Drawing Issue: A	Scale: 1:1
Drawn: JB	Date: 05/13/12

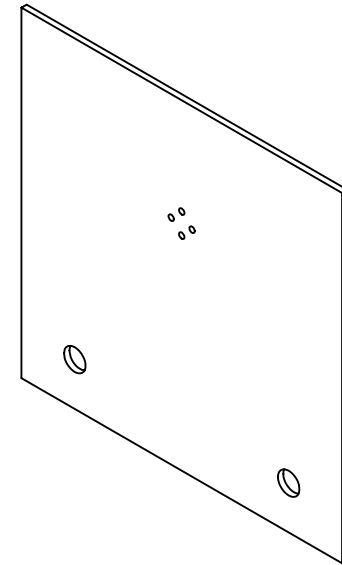
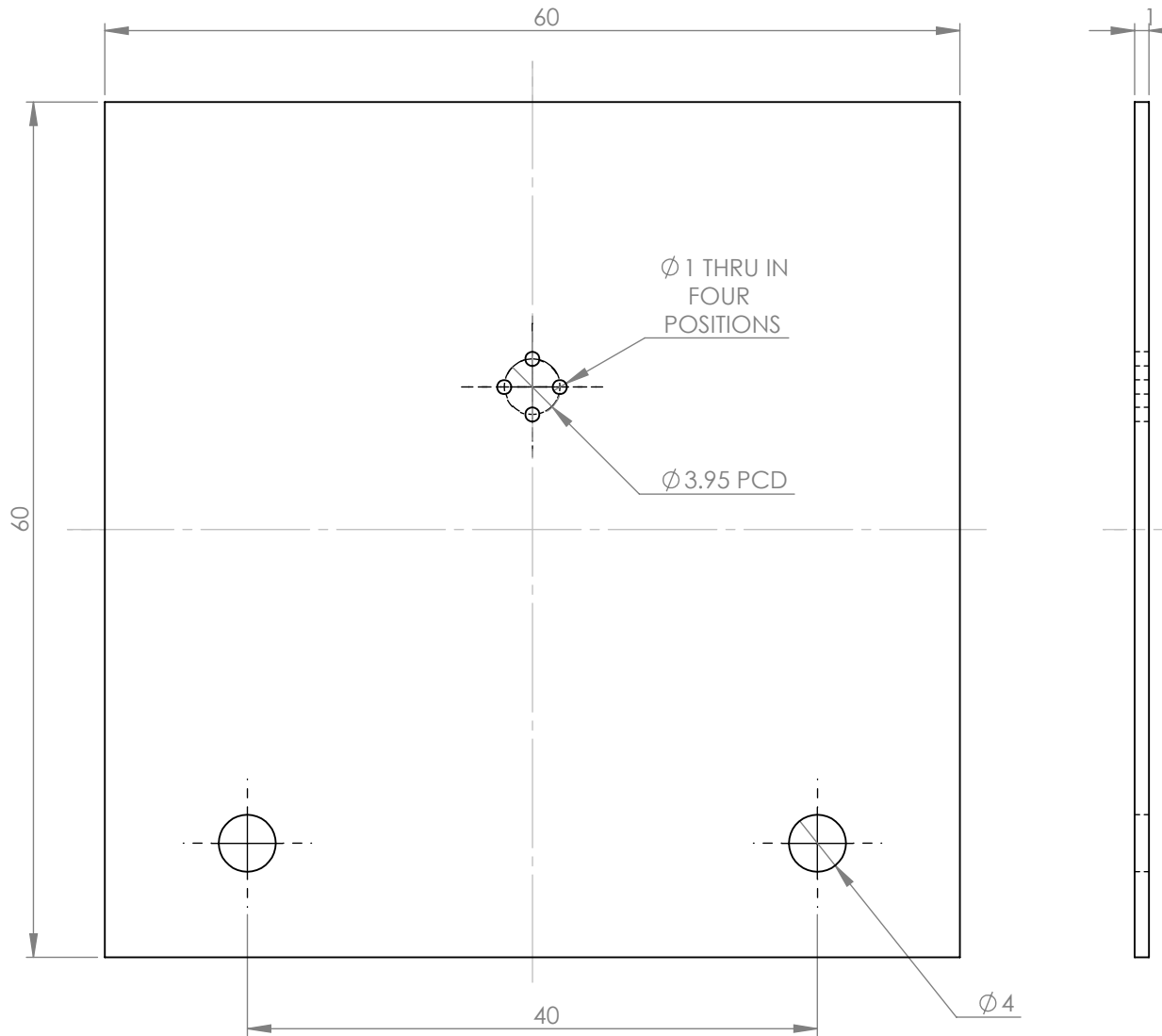
Modifications:



Note: All dimensions are in mm

The Big Consultant - <i>"The little company with the big ideas!"</i>	
COJAC - MAGNETIC TEST JIG - SENSOR BLOCK	
Drawing Issue: A	Scale: 1:1
Drawn: JB	Date: 05/13/12

Modifications:



Note: All dimensions are in mm

The Big Consultant - "The little company with the big ideas!"

COJAC - MAGNETIC TEST JIG - SENSOR MOUNTING PLATE

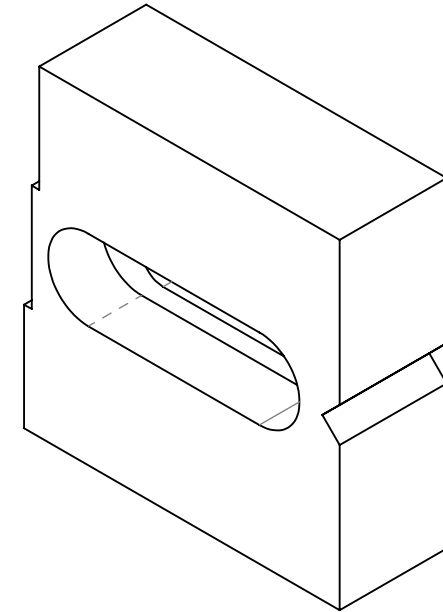
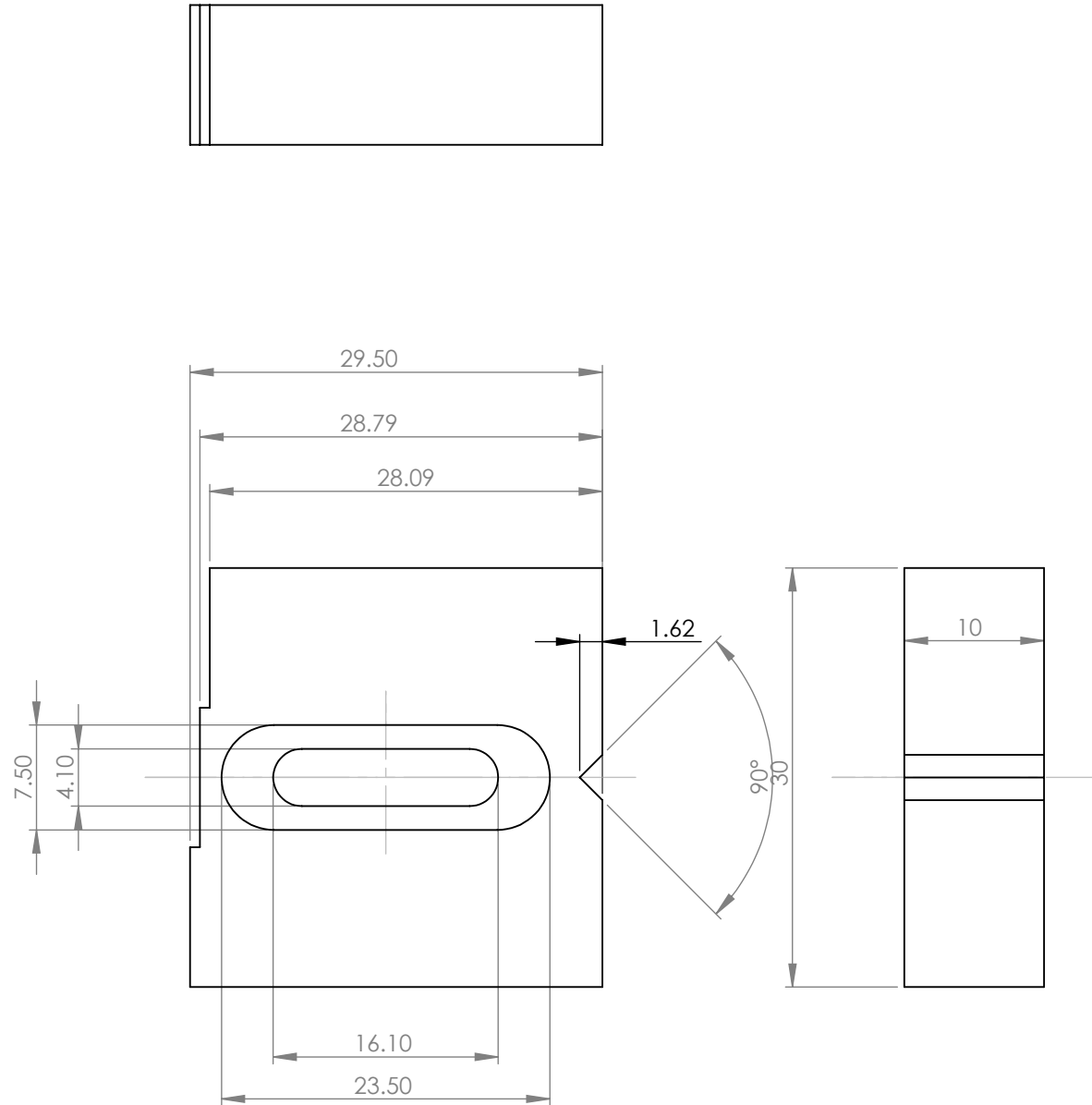
Drawing Issue: A

Scale: 2:1

Drawn: JB

Date: 05/13/12

Modifications:



Note: All dimensions are in mm

The Big Consultant - *"The little company with the big ideas!"*

COJAC - MAGNETIC TEST JIG - MAGNET VICE

Drawing Issue: A

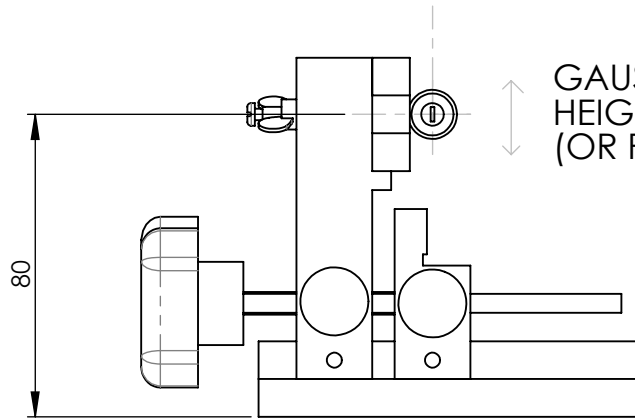
Scale: 2:1

Drawn: JB

Date: 05/13/12

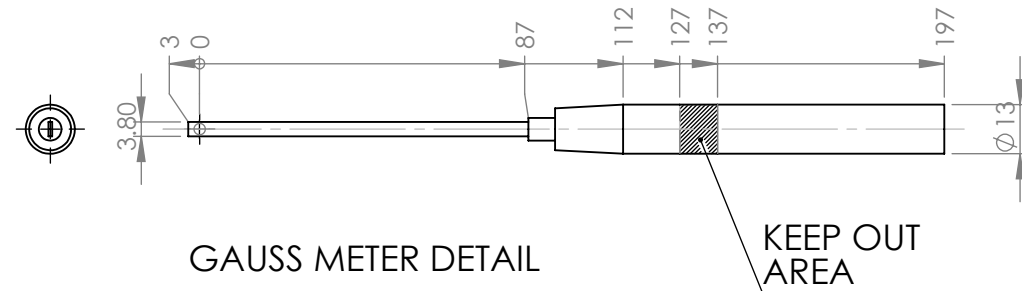
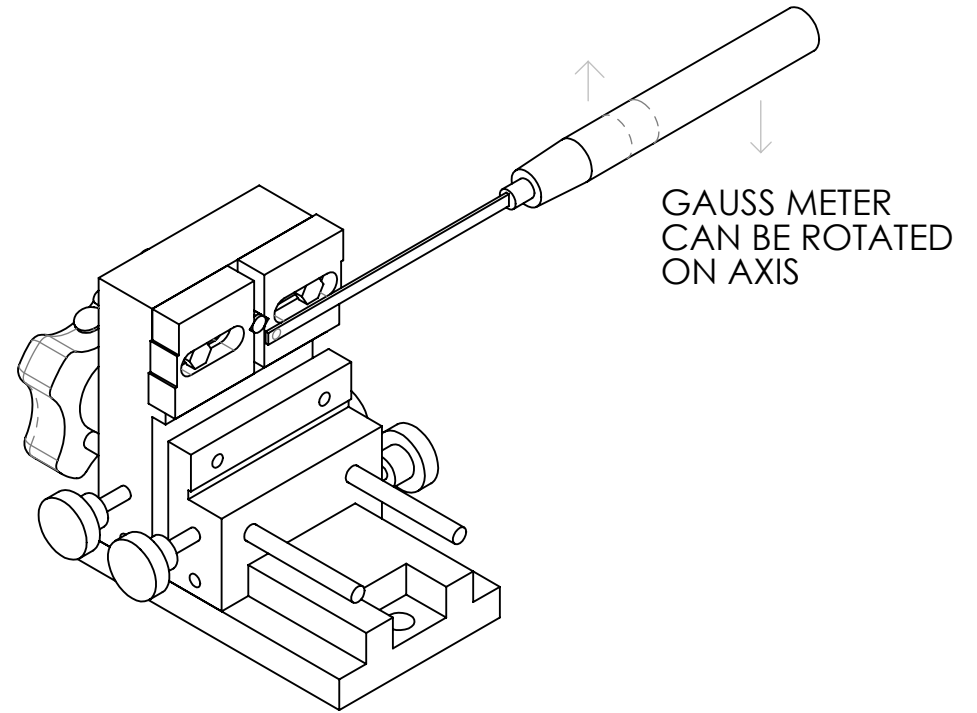
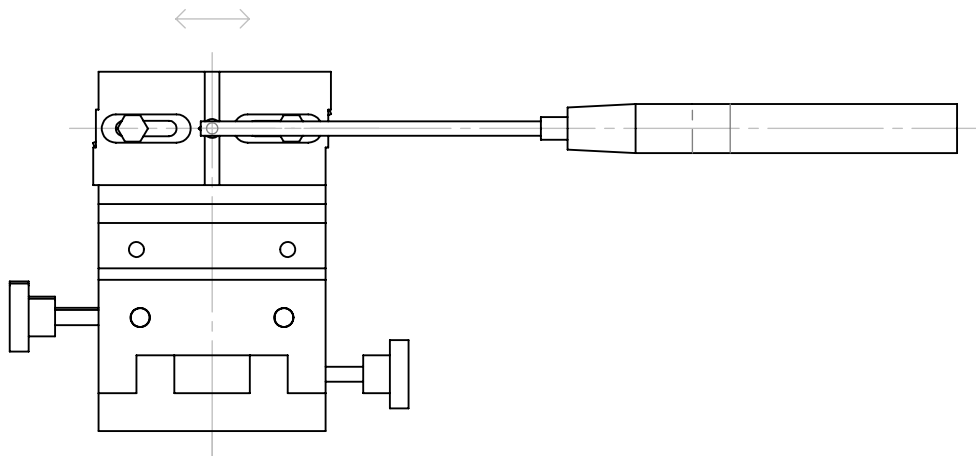
Modifications:

GAUSS METER FIXED
ALONG CENTRAL AXIS



GAUSS METER CAN BE
HEIGHT ADJUSTED +/- 1mm
(OR PREFERABLY +/- 10mm)

GAUSS METER CAN BE ADJUSTED +/- 10mm
ACROSS FACE OF MAGNET HELD IN VICE



GAUSS METER DETAIL

KEEP OUT
AREA

Note: All dimensions are in mm

The Big Consultant - "The little company with the big ideas!"

COJAC - MAGNETIC TEST JIG - GAUSS METER FITTING

Drawing Issue: A

Scale: 1:2

Drawn: JB

Date: 05/13/12