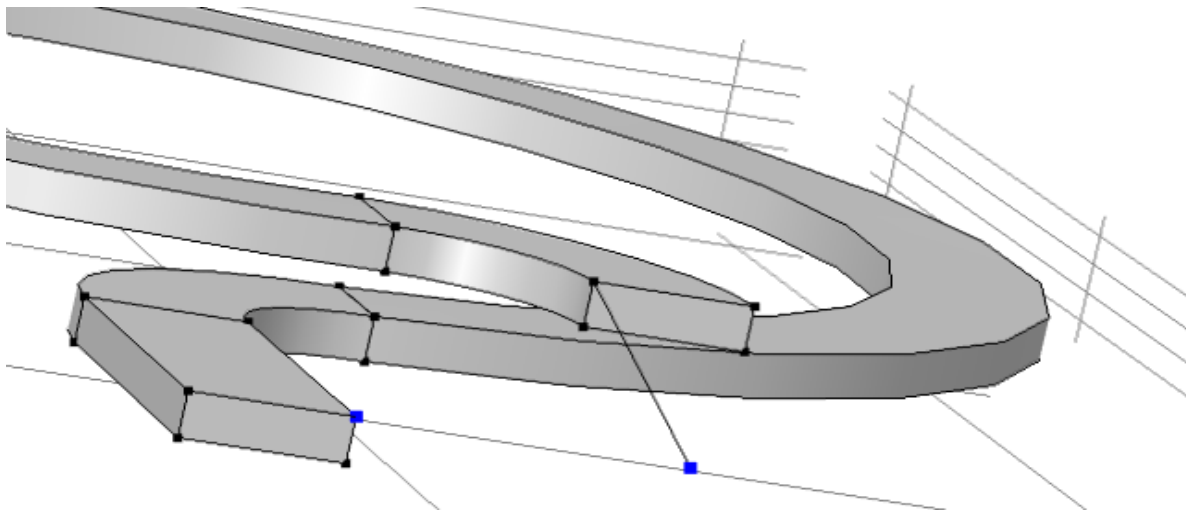


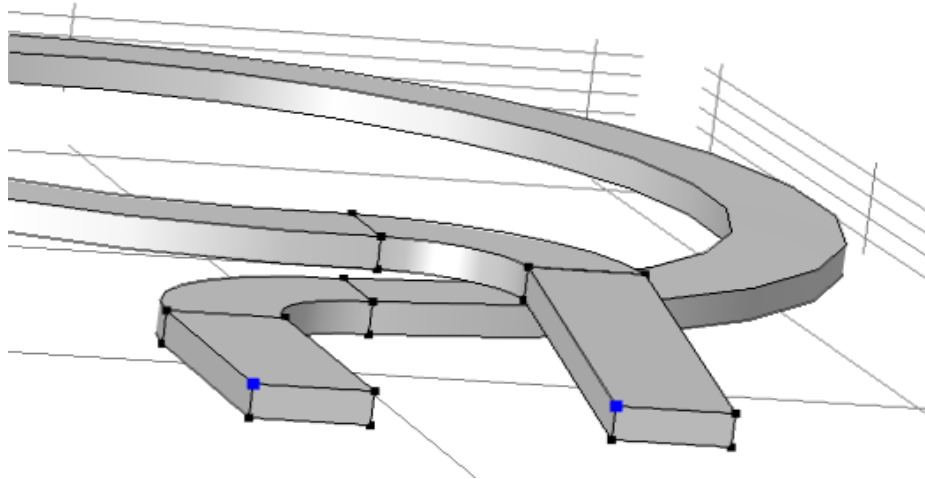
The distance between these two points in blue is
Distance: 3 [mm], (0, -3, 0) [mm]. Point 1 (ic1) to 10 (ext1).



Distance: 2 [mm], (0, -2, 0) [mm]. Point 1 (ic1) to 12 (ext1).

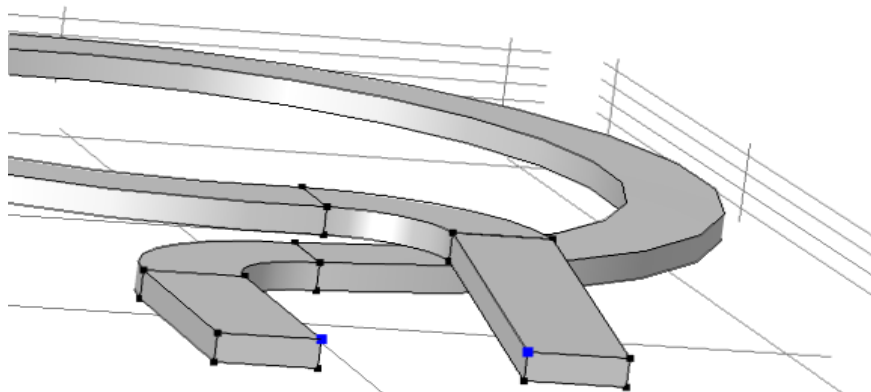
This seems all ok.

When you extend that sweep2, you get into trouble



Distance: 3 [mm], (0, -3, 0) [mm].

Distance: 3.000000734 [mm], (7.342459541E-5, 3.000000733, 2.424815931E-6) [mm].



original:
Distance: 2 [mm], (0, -2, 0) [mm].

Distance: 2.000000734 [mm], (7.342459541E-5, 2.000000733, 2.424815931E-6) [mm]. Point 12 (ext1) to 8 (swe2).