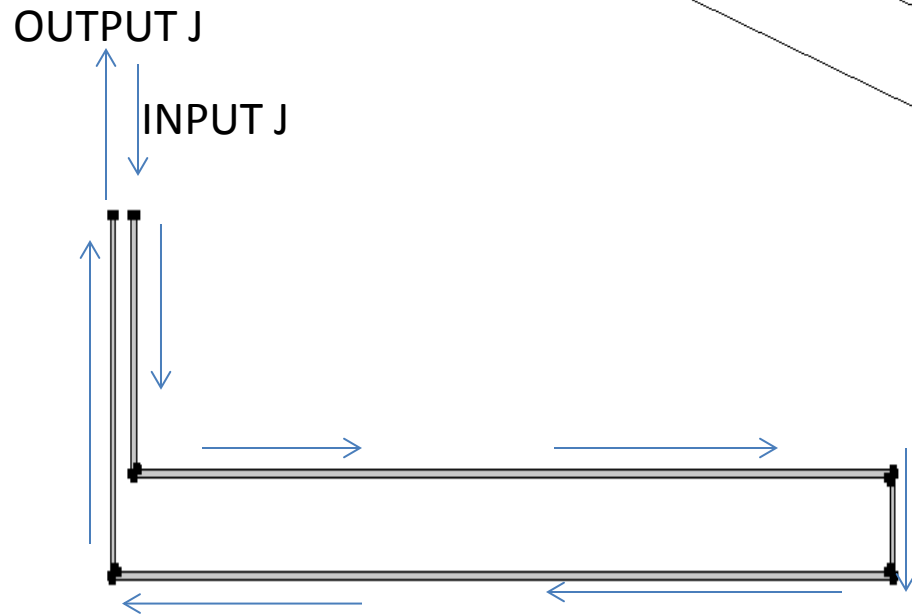
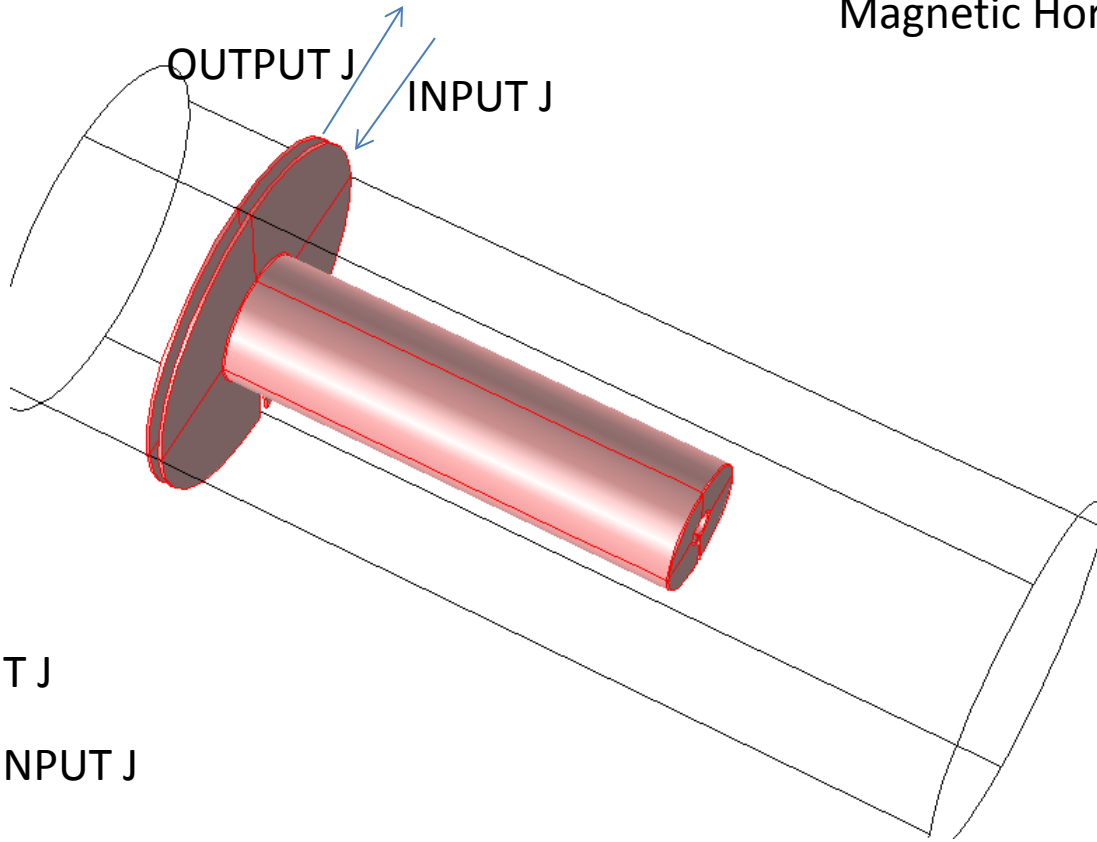
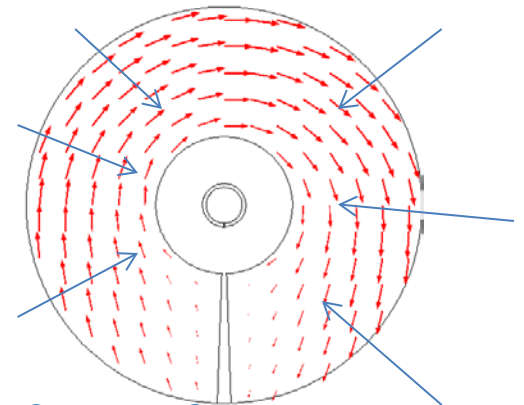


Magnetic Horn



→ COMSOL RESULT



→ EXPECTED RESULT